

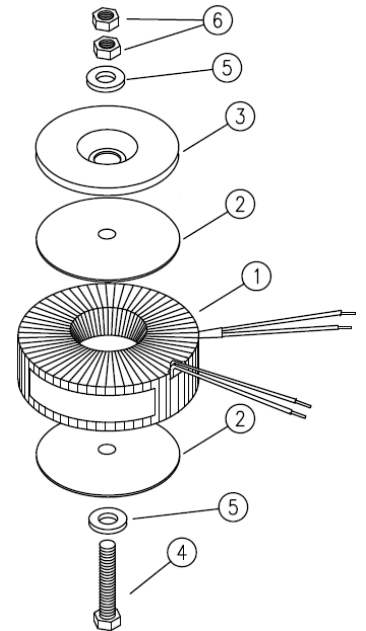
JESIVA Part n° designation

TT0000-0-00

Secondary voltage (V)   06 ..... 48
Single / Double secondary   1 / 2
Output power (VA)   0015 ..... 5000

### Mounting system

- 1 Transformer
- 2 Rubber disc
- 3 Metal/Plastic disc
- 4 Bolt
- 5 Washer
- 6 Nut



## MAIN FEATURES:

- Unitary insulation test at 4KV
- According EN61558 European Standard (CE)
- All used materials are minimum Class B (130°C)
- Protection index: IP00
- Other sizes or cable length under request
- Other voltages or powers under request

JESIVA Part n°	RATED POWER	PRIMARY	SECONDARY	TEMP	SIZES (DxH)	WEIGHT
TT0015-X-XX	15VA	230V	from 6V to 48V	40°C	67x27mm	0.3Kg
TT0020-X-XX	20VA	230V	from 6V to 48V	40°C	67x32mm	0.4Kg
TT0030-X-XX	30VA	230V	from 6V to 48V	40°C	73x34mm	0.5Kg
TT0040-X-XX	40VA	230V	from 6V to 48V	40°C	77x34mm	0.6Kg
TT0050-X-XX	50VA	230V	from 6V to 48V	40°C	77x38mm	0.7Kg
TT0060-X-XX	60VA	230V	from 6V to 48V	40°C	84x35mm	0.8Kg
TT0080-X-XX	80VA	230V	from 6V to 48V	40°C	92x38mm	1.1Kg
TT0100-X-XX	100VA	230V	from 6V to 48V	40°C	95x37mm	1.3Kg
TT0120-X-XX	120VA	230V	from 6V to 48V	40°C	95x44mm	1.5Kg
TT0150-X-XX	150VA	230V	from 6V to 48V	40°C	98x45mm	1.7Kg
TT0160-X-XX	160VA	230V	from 6V to 48V	40°C	100x45mm	1.7Kg
TT0200-X-XX	200VA	230V	from 6V to 48V	40°C	110x45mm	2.1Kg
TT0250-X-XX	250VA	230V	from 6V to 48V	40°C	110x50mm	2.5Kg
TT0300-X-XX	300VA	230V	from 6V to 48V	40°C	115x60mm	2.8Kg
TT0400-X-XX	400VA	230V	from 6V to 48V	40°C	118x55mm	3.9Kg
TT0500-X-XX	500VA	230V	from 6V to 48V	40°C	140x45mm	4.6Kg
TT0750-X-XX	750VA	230V	from 6V to 48V	40°C	160x55mm	5.6Kg
TT1000-X-XX	1000VA	230V	from 6V to 48V	40°C	160x63mm	7.2Kg
TT1500-X-XX	1500VA	230V	from 6V to 48V	40°C	165x78mm	10Kg
TT2100-X-XX	2100VA	230V	from 6V to 48V	40°C	180x85mm	13Kg
TT3500-X-XX	3500VA	230V	from 6V to 48V	40°C	225x90mm	20Kg
TT5000-X-XX	5000VA	230V	from 6V to 48V	40°C	250x138mm	30Kg

# DATA SHEET

Toroidal transformers

**JESIVA**   
transformers

Code:

TTXXXX-X-XX

Date:

Jun 2010

[www.JESIVA.com](http://www.JESIVA.com)