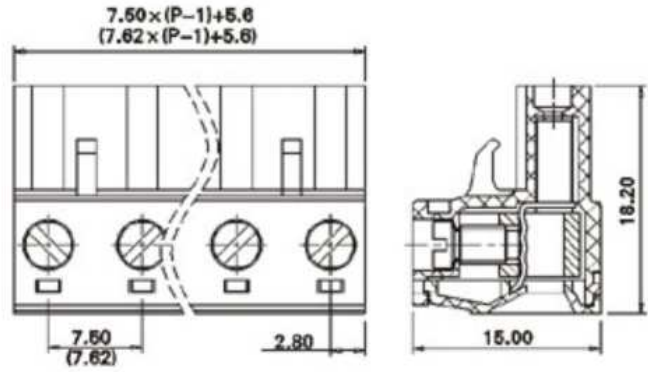


# PRODUCT

## TLPS-400V



### Technical data

Pitch (间距):	7.50mm(7.62mm)
Approval (认证):	
Rated voltage (电压):	300V
Rated current (电流):	12A
Wire range (线径):	28-12AWG
Screw (螺丝):	M3

### Part Number

型号(Model)	TLPS-400V-02P(TLPS-500V-02P)
:	TLPS-400V-24P(TLPS-500V-24P)