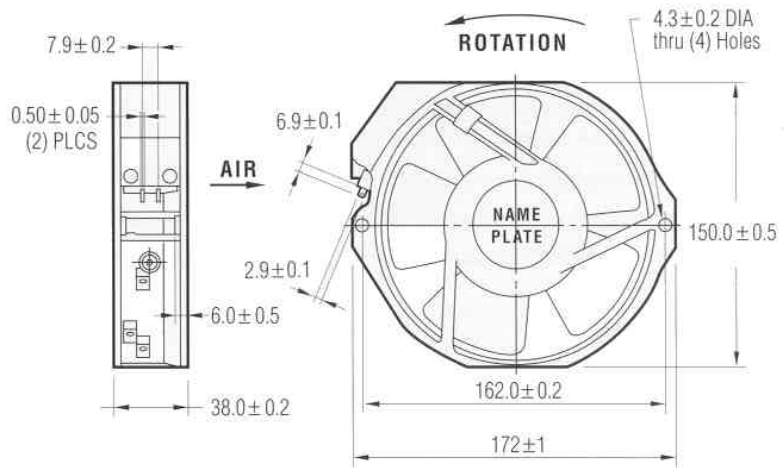




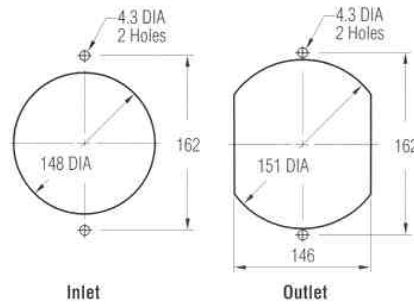
[5915PC]

AC Axial Fan Motor



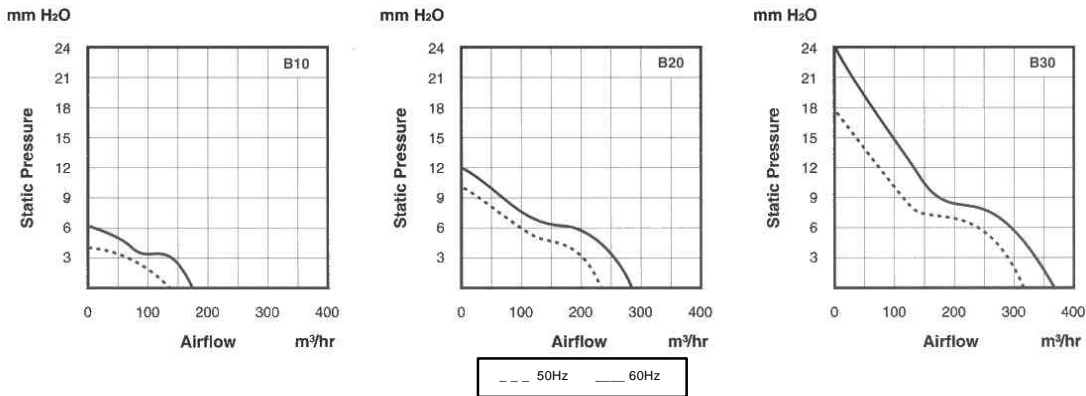
Features

- Size: 150mm x 172mm x 38mm
- Airflow: 144 – 360 m³/hr
- Noise: 35 – 56 dBA
- Weight: 800 g
- Impeller: UL94V-0 Reinforced plastic
- Venturi: Alluminium Alloy
- Terminals: 0.5 mm Faston 110
- Motor: Capacitor-Run Induction Motor



Model	Voltage (V)	Power (W)	Current (mA)	Speed (RPM)	Noise (dBA)	Pressure (mm H ₂ O)	Airflow	
							m ³ /hr	(CFM)
5915PC-12T-B10-A00	115	18,0	190	1650	38	6,2	174	102
B20-A00	115	22,0	210	2600	50	12,0	282	166
B30-A00	115	32,0	360	3200	56	22,0	360	212
5915PC-23T-B10-A00	230	16,0	90	1400	35	4,3	144	85
B20-A00	230	23,0	120	2200	46	10	240	141
B30-A00	230	35,0	190	2700	52	16	300	177

115V data is for 60Hz; and 230V data is for 50Hz



The information contained in this data sheet represents typical performance of the product, and is subject to change without notice. Product performance may be varied or enhanced to meet individual requirements. For further information please contact your local sales office



NMB (U.K.) Ltd.
NMB Minebea GmbH,
NMB Minebea Sarl,
NMB Italy Srl,
NMB Technologies Inc.,
Minebea Technologies Pte. Ltd.

1, Sterling Centre, Eastern Road, Bracknell, Berkshire RG12 2PW, England Tel (44) 1344 42 6611 Fax (44) 1344 48 5522
 Siemenstrasse 30, 63225 Langen, Germany Tel (49) 6103-913-0 Fax (49) 6103-913-220
 5 Av. Des Bosquets, 9550 Baillet en France, France Tel (33)1-34083939 Fax (33)1-34083930
 Via A Grandi 39/41, 20017 Mazzo di Rho, Milan Italy Tel (39) 2-939711 Fax (39) 2-93901154
 9730 Independence Avenue, Chatsworth, California USA Tel: (818) 341 3355 Fax: (818) 341 8207
 PSA Building, 460 Alexandra Road, #34-02, Singapore 119963 Tel (65) 278 8522 Fax (65) 444 6527

AC Axial Fan Motor

[5915PC]