

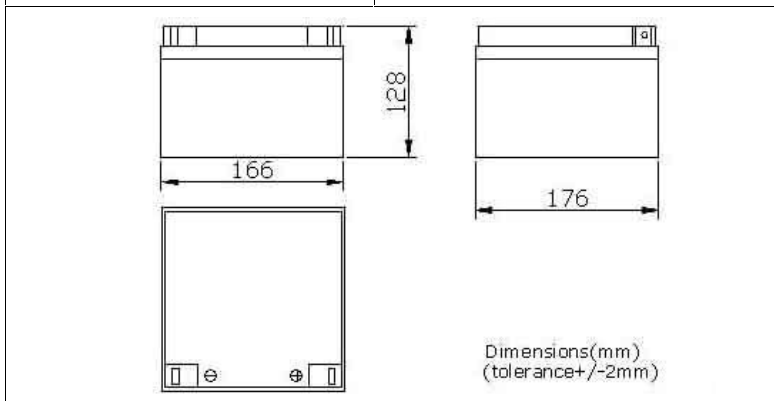
EnergiVm

CE eRU MH 28269

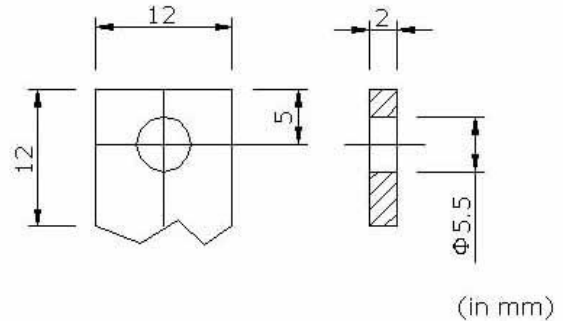
MVG12240(12V24AH)

PHYSICAL SPECIFICATION

Nominal Voltage Nominal Capacity (10HR)		12V 24Ah
Dimension	Length	176 1mm (6.93 inches)
	Width	166 1mm (6.54 inches)
	Container Height	128 1mm (5.04 inches)
	Total Height	128 1mm (5.04 inches)
Weight		Approx. 8.3 Kg (19.62lbs)
Standard Terminal		Bolt-and-nut terminal Bolt Type: M5



B3(Bolt-and-nut terminal)
Bolt Type:M5



ELECTRICAL SPECIFICATION

Characteristics											
Capacity	<table border="1"> <tr> <td>20 hour rate (1.2A)</td> <td>26Ah</td> </tr> <tr> <td>10 hour rate (2.4A)</td> <td>24Ah</td> </tr> <tr> <td>5 hour rate (4.08A)</td> <td>20.4Ah</td> </tr> <tr> <td>3 hour rate (6.0A)</td> <td>18.0Ah</td> </tr> <tr> <td>1 hour rate (14.4A)</td> <td>16.5Ah</td> </tr> </table>	20 hour rate (1.2A)	26Ah	10 hour rate (2.4A)	24Ah	5 hour rate (4.08A)	20.4Ah	3 hour rate (6.0A)	18.0Ah	1 hour rate (14.4A)	16.5Ah
20 hour rate (1.2A)	26Ah										
10 hour rate (2.4A)	24Ah										
5 hour rate (4.08A)	20.4Ah										
3 hour rate (6.0A)	18.0Ah										
1 hour rate (14.4A)	16.5Ah										
Capacity affected by temperature	<table border="1"> <tr> <td>40 (104 °F)</td> <td>102%</td> </tr> <tr> <td>25 (77 °F)</td> <td>100%</td> </tr> <tr> <td>0 (32 °F)</td> <td>85%</td> </tr> </table>	40 (104 °F)	102%	25 (77 °F)	100%	0 (32 °F)	85%				
40 (104 °F)	102%										
25 (77 °F)	100%										
0 (32 °F)	85%										
Internal Resistance	Full charged battery (25 ,77 °F) 12m										
Constant Voltage Charge	Cycle	Initial Charging Current less than 7.2A Voltage 14.1~14.4V at 25 (77 °F) Temperature Coefficient -30mV/									
	Standby	No limit on Initial Charging Current Voltage 13.5~13.8V at 25 (77 °F) Temperature Coefficient -20mV/									

Discharge curves @ 25 (77 °F)

