

PRODUCT NUMBER

71918-YXX

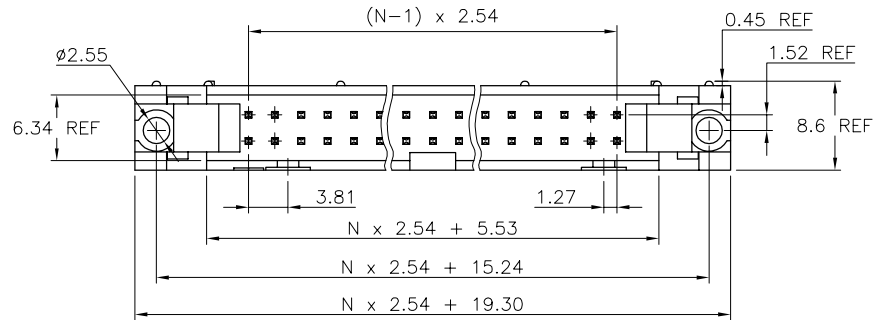
TOTAL NB OF POSITIONS 06 TO 64

LATCHING

0= WITHOUT LATCH

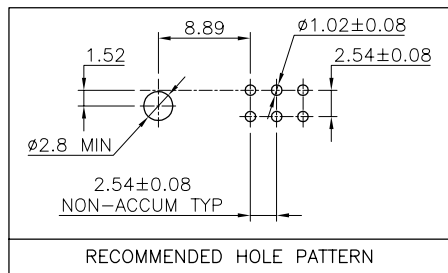
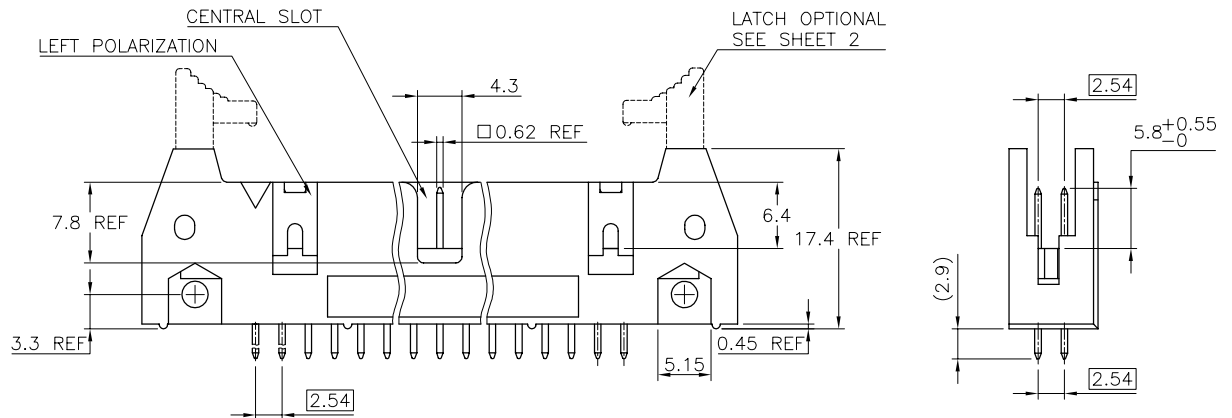
1= STANDARD LATCH

2= LOW PROFILE LATCH



NOTES:

- 1 - HOUSING MAT'L : GLASS FILLED THERMOPLASTIC. UL94V-0 COLOR: GREY
- 2 - PIN MATERIAL : PHOSPHOR BRONZE
- 3 - PRODUCT PACKAGED IN TUBES
- 4 - 40N MIN LATCH RETENTION FORCE AT FIRST EXTRACTION
- 5 - TO DETERMINE DIMENSIONS :  
N = NUMBER OF POSITIONS PER ROW  
EXAMPLE : 8 POS  $N \times 2.54 = 20.32\text{mm}$
- 6 - NO CENTRAL SLOT ON POSITIONS 6 & 8
- 7 - NO LEFT POLARIZATION ON POSITIONS 06, 08, 10, 14.
- 8 - 4.5mm SOLDER TAIL  
ORDER 71918-4XX (WITH STANDARD LATCH ONLY)



|                          |                            |  |   |                  |  |
|--------------------------|----------------------------|--|---|------------------|--|
| mat'l. code<br>SEE NOTES |                            | tolerances unless<br>otherwise specified |   | CUSTOMER<br>COPY | <br><b>ELECTRONICS</b><br>www.fciconnect.com |
| ltr                      | ecn no dr date             | linear                                   | .x $\pm 0.3$<br>.xx $\pm 0.15$<br>.xxx $\pm 0.05$ | projection       |  |
| K                        | F10149 LMU 01.02.22        | angles                                   |   |                  | title  |
| L                        | F10309 DLE 01.05.10 dr     | D.LE                                     | 01.01.24  | mm               | SHR.EL.HEADER<br>STR DR TMT                  |
| M                        | F03-0257 LMU 03.08.31 engr | JM.C                                     | 01.01.24  | scale            | product family QUICKIE                       |
| N                        | F04-0121 LMU 04.01.27 chr  | JF.N                                     | 01.01.24  | 2:1              | size dwg no                                  |
| P                        | F04-0176 LMU 04.04.22 appd | JM.C                                     | 01.01.24  | A3               | 71918  |
| sheet                    | revision R M               |  |   |                  | code   |
| index                    | sheet 1 2                  |  |   |                  | 213  |
|                          |                            |  |   |                  | sheet  |
|                          |                            |  |   |                  | 1 of 2                                       |

Tous droits strictement reserves. Reproduction ou communication  
 sous quelque forme que ce soit sans autorisation écrite de  
 FCI Electronics S. A.  
 Propriete de c FCI Electronics S. A.  
 Droits de reproduction FCI Electronics S. A.

All rights strictly reserved. Reproduction or issue to third parties  
 in any form is not permitted without written authority from the  
 Property of FCI Electronics S. A.  
 Copyright FCI Electronics S. A.

Tous droits strictement réservés. Reproduction ou communication  
 sous quelque forme que ce soit sans autorisation écrite de  
 FCI Electronics S. A.  
 Propriété de FCI Electronics S. A.  
 Droits de reproduction FCI Electronics S. A.

All rights strictly reserved. Reproduction or issue to third parties  
 in any form is not permitted without written authority from the  
 property of FCI Electronics S. A.  
 Copyright © FCI Electronics S. A.



| CORE RANGE |                  |
|------------|------------------|
| LATCHING   | Nbr OF POSITIONS |
| 1          | 06               |
| 1          | 08               |
| 1          | 10               |
| 1          | 14               |
| 1          | 16               |
| 1          | 18               |
| 1          | 20               |
| 1          | 26               |
| 1          | 30               |
| 1          | 34               |
| 1          | 40               |
| 1          | 44               |
| 1          | 50               |
| 1          | 60               |
| 1          | 64               |

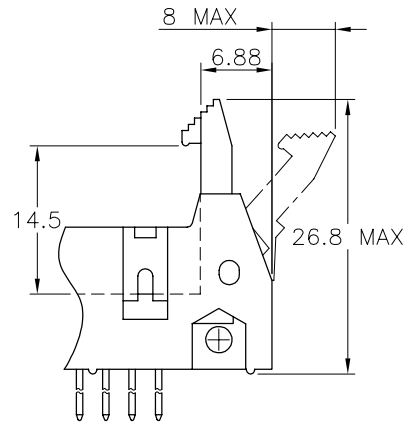
  

|                             |                     |
|-----------------------------|---------------------|
| LATCHING                    |                     |
| 0                           | = WITHOUT LACHING   |
| 1                           | = STANDARD LATCH    |
| 2                           | = LOW PROFILE LATCH |
| PLATING                     |                     |
| 0.76µm GOLD ON CONTACT AREA |                     |
| 3.81µm TIN/LEAD ON TAIL     |                     |

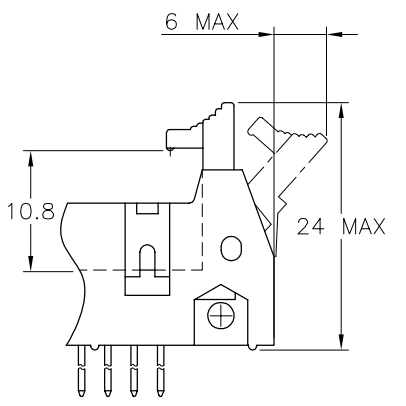
| CATALOGUE RANGE |                  |
|-----------------|------------------|
| LATCHING        | Nbr OF POSITIONS |
| 0/2             | 06               |
| 0/2             | 08               |
| 0/2             | 10               |
| 0/2             | 14               |
| 0/2             | 16               |
| 0/2             | 18               |
| 0/2             | 20               |
| 0/2             | 26               |
| 0/2             | 30               |
| 0/2             | 34               |
| 0/2             | 40               |
| 0/2             | 44               |
| 0/2             | 50               |
| 0/2             | 60               |
| 0/2             | 64               |

|                             |                     |
|-----------------------------|---------------------|
| LATCHING                    |                     |
| 0                           | = WITHOUT LACHING   |
| 1                           | = STANDARD LATCH    |
| 2                           | = LOW PROFILE LATCH |
| PLATING                     |                     |
| 0.76µm GOLD ON CONTACT AREA |                     |
| 3.81µm TIN/LEAD ON TAIL     |                     |



1 = STANDARD LATCH



2 = LOW PROFILE LATCH

|             |                |                                       |        |               |          |  |   |                               |             |
|-------------|----------------|---------------------------------------|--------|---------------|----------|--|---|-------------------------------|-------------|
| mat'l. code |                | tolerances unless otherwise specified |        | CUSTOMER COPY |          | <b>ELECTRONICS</b><br>www.fciconnect.com |   |                               |             |
| ltr         | ecn no dr      | date                                  | linear | .x            | ±0.3     | projection                               |   |                               |             |
| H           | F70143         | PNZ 97.02.25                          |        | .xx           | ±0.15    |  |   |                               |             |
| J           | F10120         | DLE 01.01.24                          |        | .xxx          | ±0.05    |  |   |                               |             |
| K           | F10149         | LMU 01.02.22                          | angles |               |          |  | title <b>SHR.EL.HEADER</b><br><b>STR DR TMT</b> |                               |             |
| L           | F10309         | DLE 01.05.10                          | dr     | D.LE          | 01.01.24 |  |   | product family <b>QUICKIE</b> | code<br>213 |
| M           | F04-0176       | LMU 04.04.22                          | engr   | JM.C          | 01.01.24 |  |   |                               |             |
|             |                |                                       | chr    | JF.N          | 01.01.24 | scale<br>2:1                             | sheet<br>2 of -                                 |                               |             |
|             |                |                                       | appd   | JM.C          | 01.01.24 |  |   |                               |             |
| sheet index | revision sheet |                                       |        |               |          |  |   |                               |             |