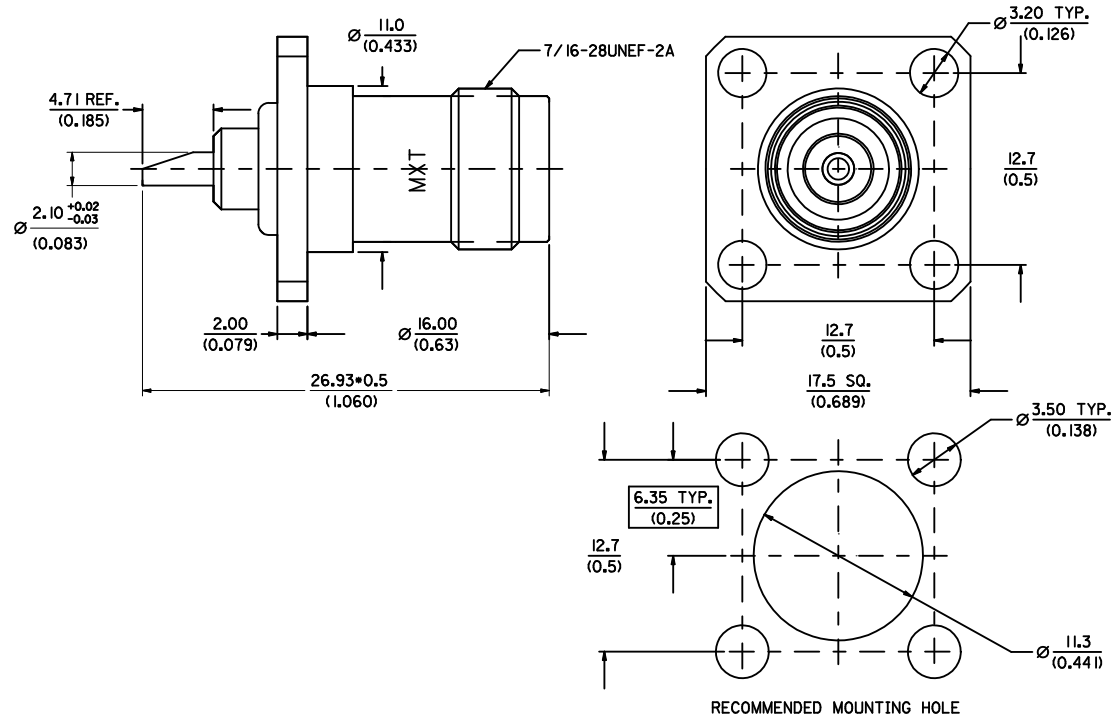


MATERIALS AND FINISHES

BODY: BRASS  
PLATED NICKEL

CONTACT: PHOSPHOR BRONZE  
PLATED GOLD

DIELECTRIC: TEFLON



73216-2720	ONE PER BAG
73176-0010	TRAY
PART NO.	PACKAGING

CHG: ADD SINGLE BAG P/N	EC NO: URF2011-0614	QUALITY SYMBOLS	GENERAL TOLERANCES (UNLESS SPECIFIED)	DIMENSION STYLE	SCALE	DESIGN UNITS	THIRD ANGLE PROJECTION
	DRWN: WIENER 2011/04/18	▽=0	mm INCH	MM/IN	METRIC	□	
CHKD: SSS 2011/04/18	APPR: WIENER 2011/04/20	▽=0	4 PLACES ± --- ± ---	DRAWN BY DATE	TITLE	TNC JACK RECEPTACLE	
REV: A2			3 PLACES ± --- ± ---	CHECKED BY DATE		PANEL MOUNT 50 OHM	
			2 PLACES ± --- ± ---	APPROVED BY DATE		TNC-JR EWR-N/A	
			1 PLACE ± --- ± ---	JWIENER 2011/04/20		MOLEX INCORPORATED	
			ANGULAR ± ---°	MATERIAL NO.	DOCUMENT NO.	SD-73176-0010	
			DRAFT WHERE APPLICABLE MUST REMAIN WITHIN DIMENSIONS	SEE TABLE		SHEET NO. 1 OF 1	
				SIZE C	THIS DRAWING CONTAINS INFORMATION THAT IS PROPRIETARY TO MOLEX INCORPORATED AND SHOULD NOT BE USED WITHOUT WRITTEN PERMISSION		


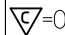
MATERIALS AND FINISHES

SEE SD-73176-0010

P/N: 73216-2720: THIS IS P/N: 73176-0010 PLACED IN A SINGLE BAG

CHG: NEW RELEASE  
 EC NO: URF2011-0674  
 DRWN: JWIENER 2011/04/18  
 CHKD: SSS 2011/04/18  
 APPR: JWIENER 2011/04/20

DESCRIPTION  
 1

QUALITY SYMBOLS  
 = 0  
 = 0

GENERAL TOLERANCES (UNLESS SPECIFIED)

	mm	INCH
4 PLACES	± .---	± .---
3 PLACES	± .---	± .---
2 PLACES	± .---	± .---
1 PLACE	± .---	± .---
ANGULAR	± .---°	

DRAFT WHERE APPLICABLE MUST REMAIN WITHIN DIMENSIONS

DIMENSION STYLE  
 MM/IN

DRAWN BY	DATE
JWIENER	2011/04/18
CHECKED BY	DATE
SSS	2011/04/18
APPROVED BY	DATE
JWIENER	2011/04/20

MATERIAL NO. SEE TABLE

SCALE

DESIGN UNITS  
 METRIC

THIRD ANGLE PROJECTION

TITLE  
 TNC JACK RECEPTACLE  
 50 OHMS PANEL MOUNT  
 TNC-JR EWR-N/A

MOLEX INCORPORATED

DOCUMENT NO. SD-73216-272

SHEET NO. 1 OF 1

THIS DRAWING CONTAINS INFORMATION THAT IS PROPRIETARY TO MOLEX INCORPORATED AND SHOULD NOT BE USED WITHOUT WRITTEN PERMISSION